

handle

space for holding textbook

slope for holding mobile phone/calculator

dovetail joint

compartment for holding small study items

finger joint

space for holding set squares

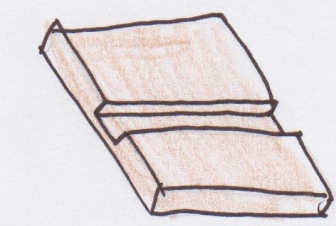
pencil holder

Advantages

- 1) It is able to hold three textbooks.
- 2) It can hold drawing equipment and other small stationary items used when studying.
- 3) You could burn a personal design on the side.

Disadvantages

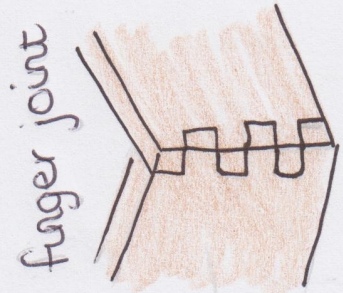
- 1) It would be very tall on a desktop.
- 2) It looks plain.
- 3) It would be hard to router out the spaces for the drawing equipment and stationary items.



housing joint

finger joint

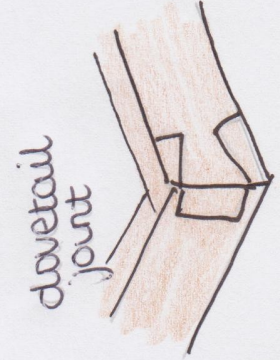
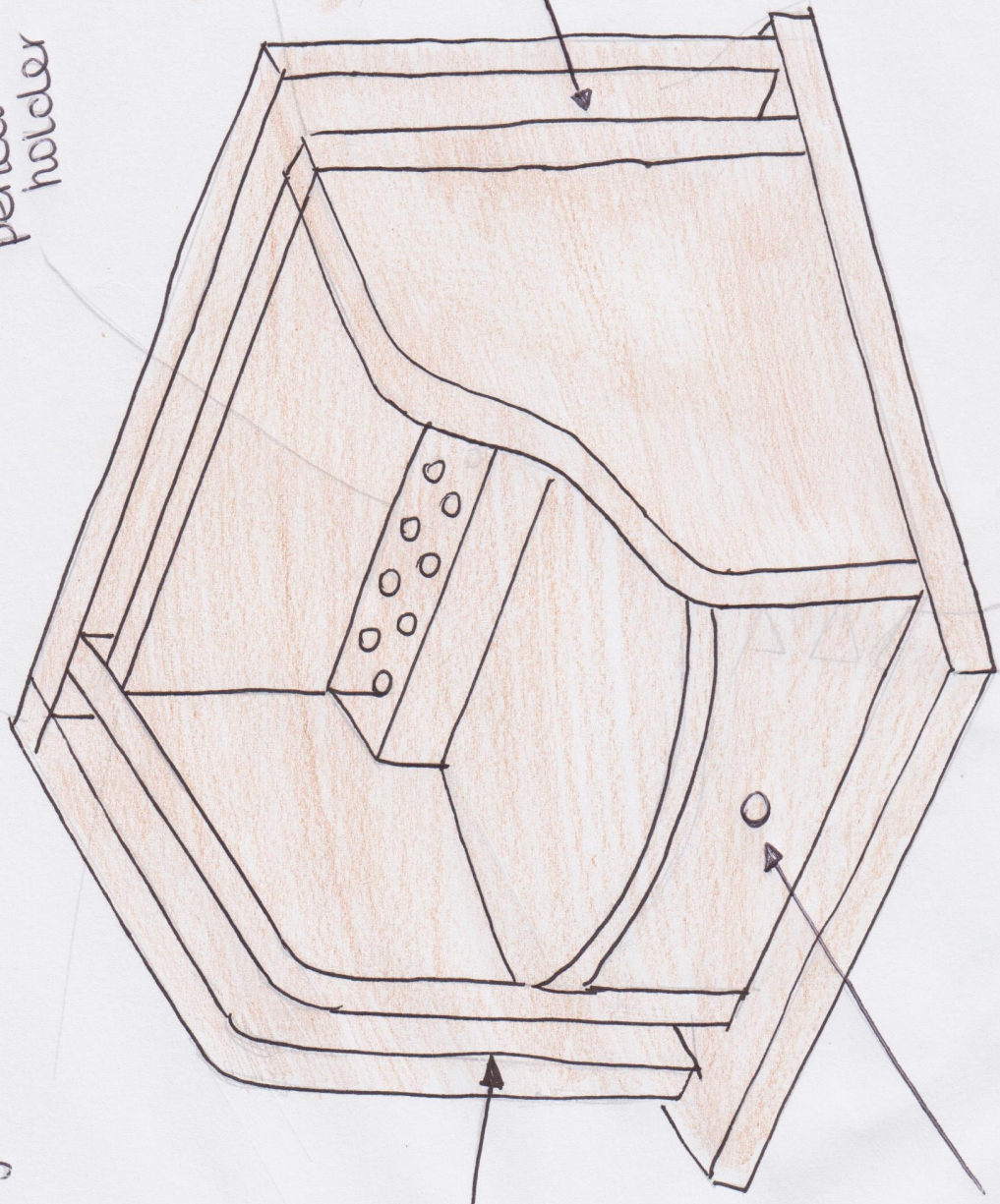
pencil holder



finger joint

space for holding set squares

space for holding textbooks

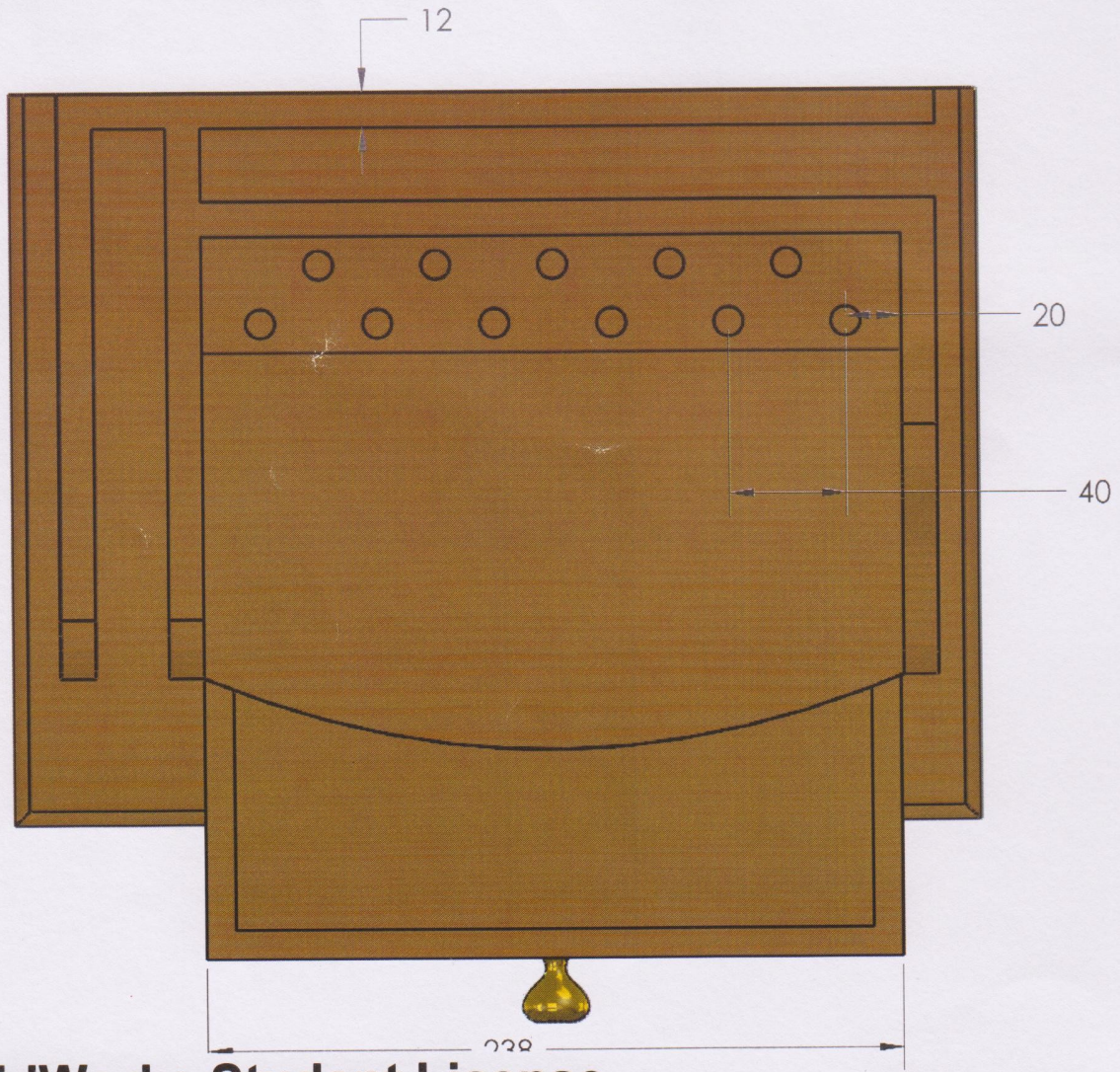
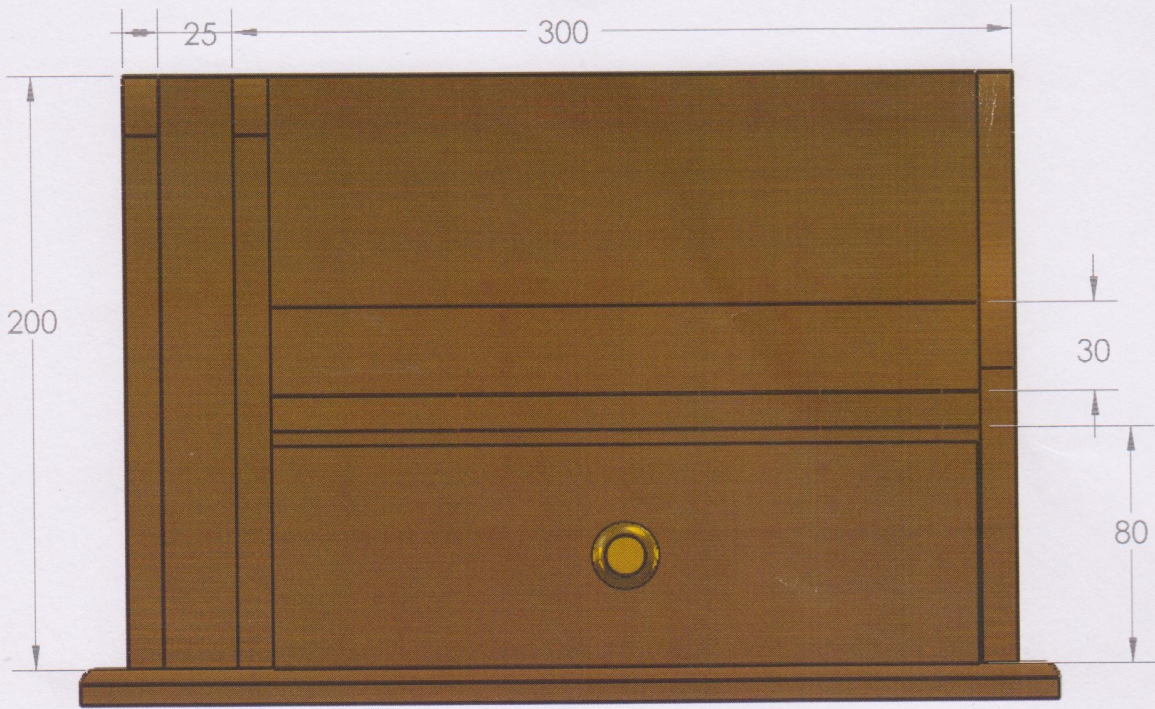


dovetail joint

drawer for holding small study items

Advantages

- 1) The desk organiser is portable.
- 2) It is quite small and able to fit on a desktop.
- 3) It is able to hold a text book.
- 4) It is able to hold set squares.
- 5) It can hold 8 pencils and other small study items in the drawer/on the shelf.
- 6) It looks neat and tidy.



**SolidWorks Student License
Academic Use Only**

Cutting List

Component	Material	Length (mm)	Width (mm)	Thickness (mm)	No. of Parts
Base	Pine	340 mm	250 mm		1
Back Board	Pine	300 mm	200 mm		1
Inside Back Board	Pine	260 mm	200 mm		1
Side 1	Pine	200 mm	200 mm		1
Side 2	Pine				1
Pencil Holder	Pine	240 mm	40 mm		1
Shelf	Pine	250 mm	160 mm		1
Slope Side	Pine	200 mm	155 mm		1
Drawer (width)	Pine	140 mm	70 mm		2
Drawer (length)	Pine	240 mm	70 mm		2

Evaluation

Yes I did fulfill the brief requirements as I was asked to design and make a portable study organiser for use on a desktop. I am happy with how my project turned out as my project is portable as it quite small in size and easy to move around. I can also fit a maximum of three text books. There is room for drawing equipment in my project as I can fit set squares, pencils and other small study items in the drawer. I think i have managed to make a good project with a small amount of timber. I have used pine which is a cheap timber and is easy to work with.

I liked the idea of this project. The brief was very open to ideas and I could think of lots of designs to suit the brief. I liked doing the joints in this project. While the dovetail joint in this project was challenging to make, i found it enjoyable to try it out.

If i were to make this project again i would put something different on the top instead of just a pencil holder, as it looks plain. I would put a compartment for holding other stationary items or a slope for holding a mobile phone or calculator.

From making this project I have learned how to do the dovetail joint. I also improved on my finger joints, leaving little or no gaps. I also learned how to work the pyrograph pen for burning on my designs.

I feel that this project took a little longer than I thought as coming near to the final days, I felt a little rushed and could have done with longer time.

I am happy with how my sanding turned out as there were no pencil marks. I am happy with the varnishing as there were no streaky marks on the finishing project.

Overall, I am happy with how my project turned.